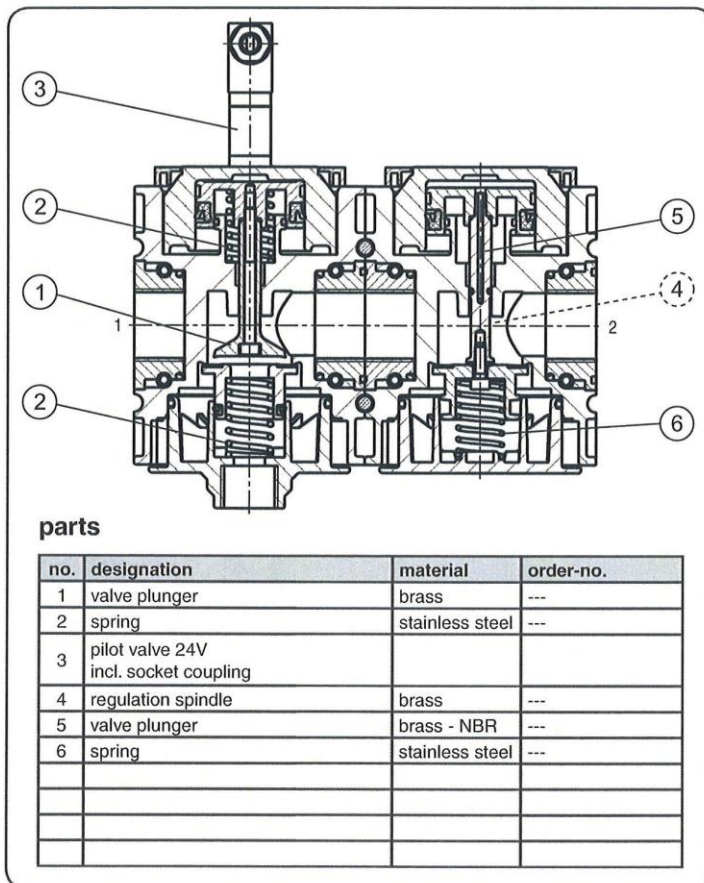
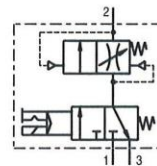


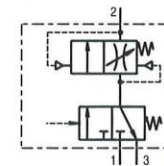
item	type	FU 990, FU 990-AC FU 994-115V, FU 994	FU 991, FU 991-AC, FU 995-115V, FU 995
port size		G 3/4	G 1
description		poppet valve	
mounting		arbitrary	
medium		compressed air, neutral gases	
mediums- and ambient temperature		max. 50 °C	
supply pressure		Pe min. 2,5 bar Pe max. 10 bar	
voltage		24 V= ; 24V / 50Hz ; 115V / 50Hz ; 230V / 50Hz	
relative switch-on duration		100 %	
power		1 - 2,5 W with DC 3 VA with AC 50 Hz	
protection class		IP65 according to DIN 40050	
electrical connection		socket coupling EN 175301-803, form C / ISO 15217 poles 2+PE (included in scope of delivery)	
fixing		mounting bracket, wall mounting	
weight		2,082 kg	



electrically operated



pneumatically operated


series 4

application information

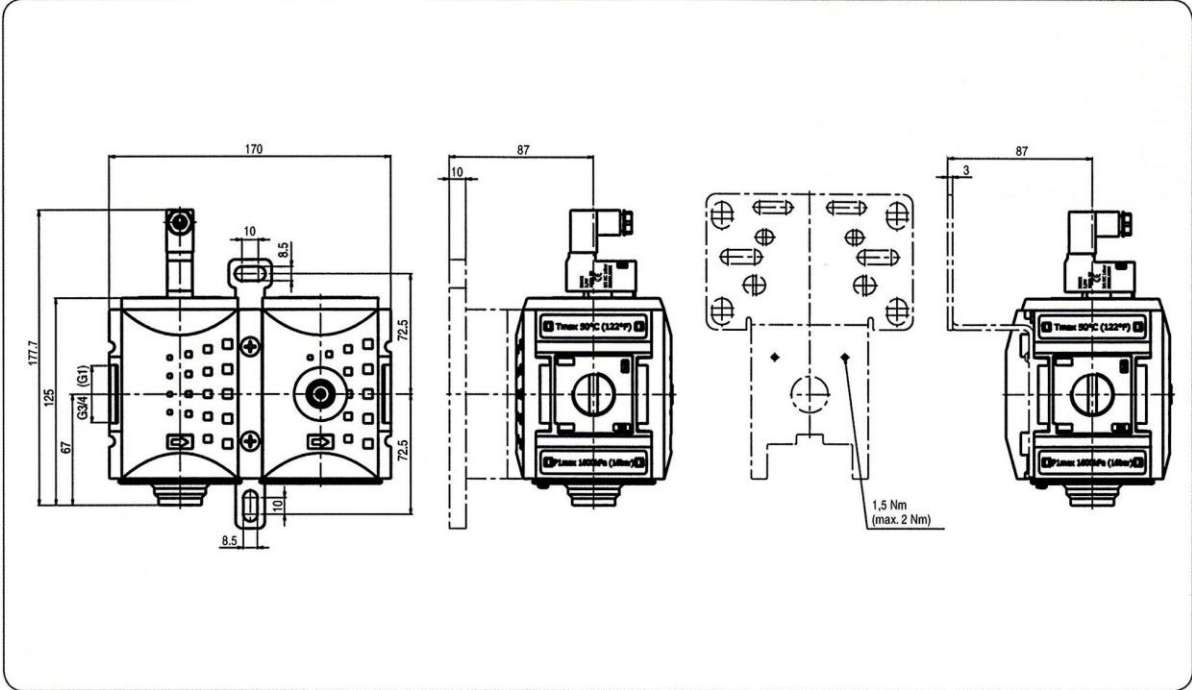
- switch on and off by 3/2-in line control
- generates a slow pressure build-up in pneumatic systems, avoids a sudden drop in pressure

Filling unit »FUTURA« Series

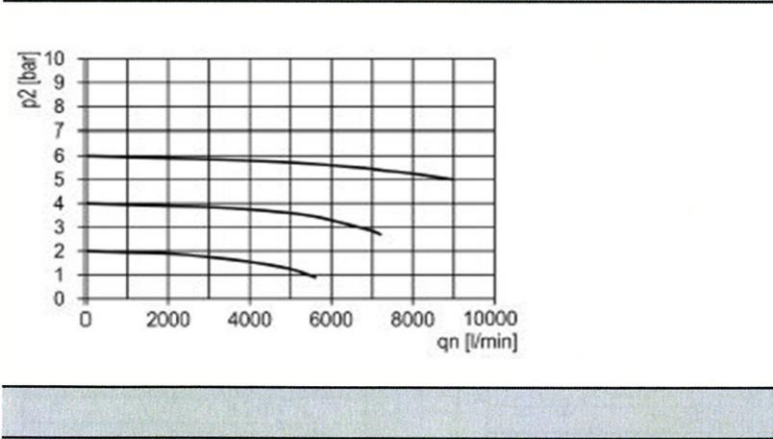
Article No. 100321 + 100322 - Type No. FU 990 + FU 991
 Article No. 156624 + 156625 - Type No. FU 990-AC + FU 991-AC
 Article No. 156630 + 156631 - Type No. FU 994-115V + FU 995-115V
 Article No. 100327 + 100328 - Type No. FU 994 + FU 995



dimensions (mm)



flow characteristic



accessories 2

